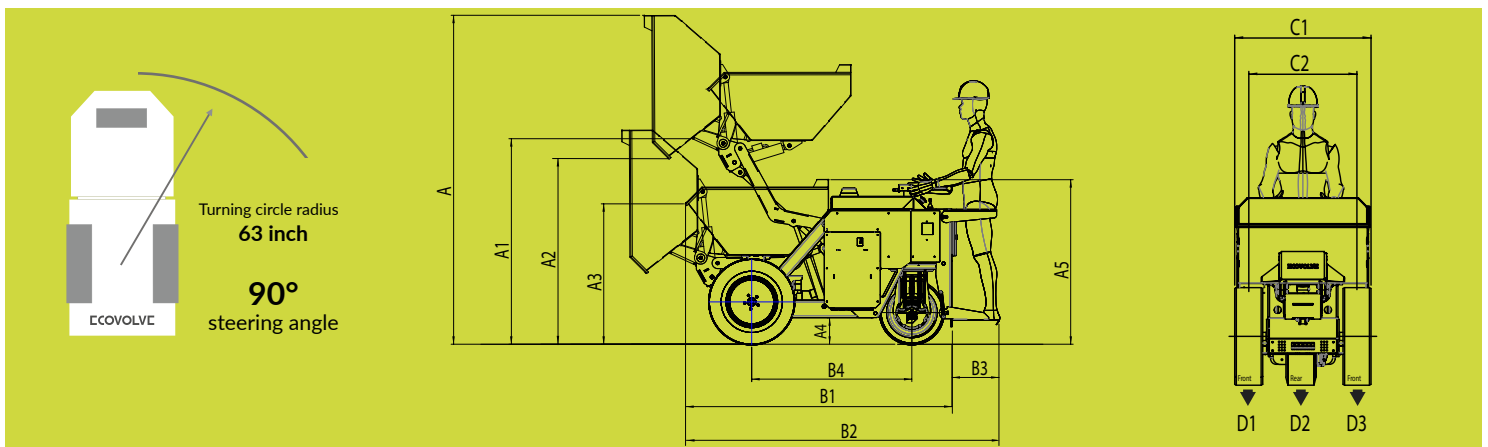




		ED800	ED1000	ED1500
Capacity	Max safe load (Lbs)	1763	2200	3300
	Unladen weight (Lbs)	2650	2866	3300
	Skip - Levelled (Cubic feet)	12	15	20.3
	- Heaped (Cubic feet)	17	21	28.2
	- Water level (Gallons)	60	83	121
Drive	Drive type	1 wheel drive	1 wheel drive	3 wheel drive
	Steering	1 wheel steer	1 wheel steer	1 wheel steer
	Speed (Mph)	0-4	0-5	0-6
	Steering angle	90°	90°	90°
	Grade ability	15°	15°	15°
Transmission	Proportional Steering	Drive	Drive	Drive
	Tires - Front (2no. Super elastic)	27x8,5x15	27x8,5x15	27x8,5x15
	- Rear (1no. Super elastic)	21x8x9	21x8x9	21x8x9
	Brakes		Dynamic electric brake	Negative parking brake
Hydraulic system	Gear pump - Flow rate (Gallon/Min)	1.45	1.45	1.72
	- Oper. pressure (PSI)	1900	1900	2100
	Pump motor (KW)	2.2	2.2	2.2
	Hydraulic tank capacity (Gallons)	0.74	0.74	1.32
Electric system	Voltage (V)	24	24	24
	Battery (Ah)	400	400	600
	Integrated Charging - Input (V AC)	100-240	100-240	100-240
	- Output (V DC)	24	24	24
	Recharge (Hrs)	8	8	10
Drive motor	Type		Induction motor	
	Output	5KW/7HP	5KW/7HP	8KW/11HP
	Emission	Zero	Zero	Zero
Noise	Driving (Db)	65	65	65
	Buzzer [adjustable] (Db)	60-80	60-80	60-80



[In]	A	A1	A2	A3	A4	A5	B1	B2	B3	B4	C1	C2	Unladen		Laden	
													D1/D3	D2	D1/D3	D2
ED800	103	64	58	44	8.3	51.5	81.3	94	13.0	50	32	23	617 lbs	1500 lbs	1433 lbs	1543 lbs
ED1000	103	64	58	44	8.3	51.5	86.6	101	13.0	50	38	30	683 lbs	1500 lbs	1730 lbs	1609 lbs
ED1500	114	71	63	45	8.3	53	88.4	101.4	13.0	52.2	46.2	38.4	827 lbs	1653 lbs	2480 lbs	1653 lbs

Ground Pressure